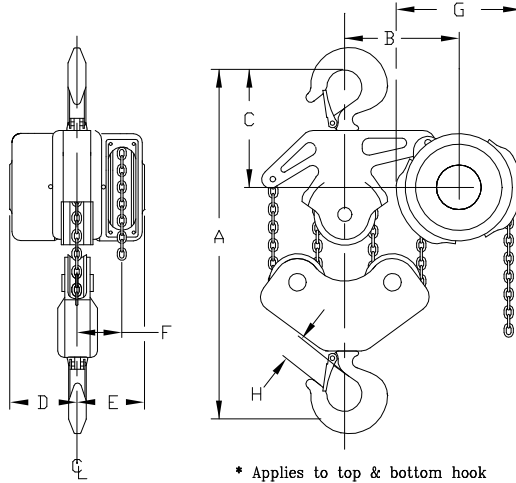


- A 31 13/16"
- B 8 1/2"
- C 13 1/4"
- D 5"
- E 5"
- F 3 1/4"
- G 11 1/2"
- \* H 3 1/32"

# SPARK RES'T. UNIT



\* Applies to top & bottom hook

THIS DRAWING SUPPLIED FOR DIMENSIONAL PURPOSES ONLY  
VISUAL DETAILS MAY VARY SLIGHTLY FROM UNIT SUPPLIED  
HOWEVER DIMENSIONS SHOWN APPLY

		8 TON HOOK TYPE ZSGH	DR. RLB	TR.	CK.	AP.
			SCALE	NONE	DATE	12/14/07
			REF. DWG. NO.	8ton zsghlight		
MK.	REVISIONS	CK-DATE	Dwg. No. CN173			
			CHESTER HOIST LISBON, OHIO			