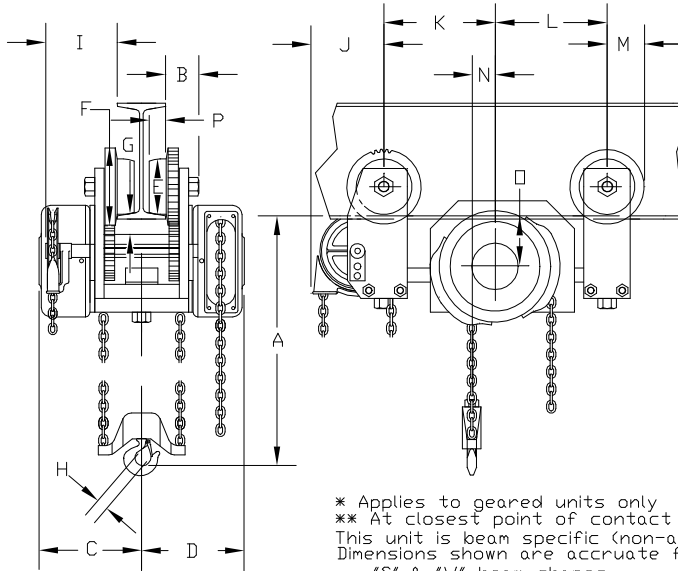


A 6 $\frac{13}{16}$ "
 B 2"
 C 6 $\frac{9}{16}$ "
 D 6 $\frac{9}{16}$ "
 E 3 $\frac{3}{4}$ "
 F 5"
 ** G $\frac{15}{16}$ "
 H 1"
 * I 4 $\frac{11}{16}$ "
 * J 3 $\frac{3}{4}$ "
 K 7 $\frac{1}{4}$ "
 L 6 $\frac{1}{2}$ "
 M 2 $\frac{1}{2}$ "
 N 1 $\frac{3}{8}$ "
 O 2 $\frac{15}{16}$ "
 P 1 $\frac{3}{32}$ "

SPARK RES'T. UNIT



THIS DRAWING SUPPLIED FOR DIMENSIONAL PURPOSES ONLY
 VISUAL DETAILS MAY VARY SLIGHTLY FROM UNIT SUPPLIED
 HOWEVER DIMENSIONS SHOWN APPLY

		1 TON SWIVEL TRUCK LOW HEADROOM		DR. RLB	TR.	CK.	AP.
		CHESTER HOIST		SCALE NONE		DATE 10/1/07	
		LISBON, OHIO		REF. DWG. NO.			
				Dwg. No. CN222			
MK.	REVISIONS	CK-DATE					