

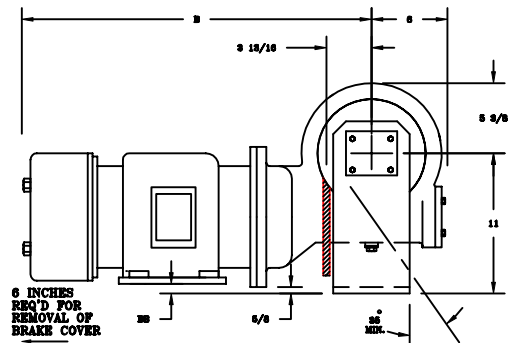
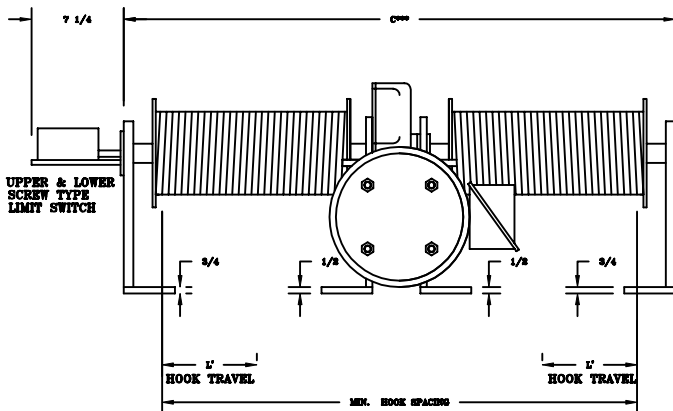
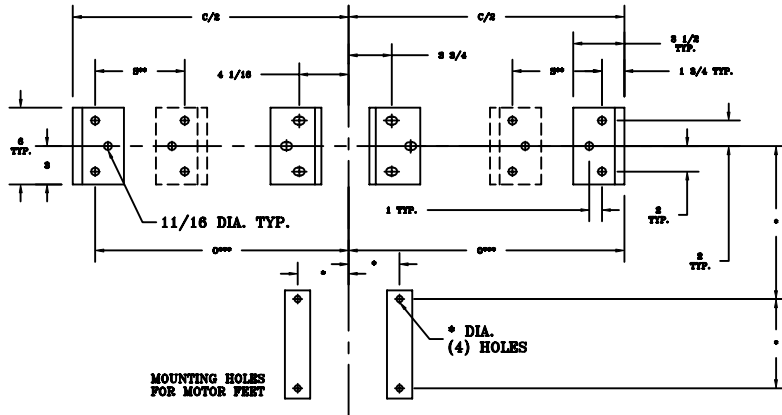
CHESTER HOIST

WORM DRIVE HOIST
DATA SHEET E-49AS

CAPACITY 1-1 1/2 TON

TWIN HOOK - R

FLOOR MOUNTED



ALL DIMENSIONS IN INCHES

MODEL NUMBER	CAPACITY (lbs.)	SPEED (fpm)	LIFT (ft.)	REEVING	MOTOR (hp)	B	*** C	L'	*** O	** S	** X	BB	MIN. HOOK SPACING	MAX. HOOK SPACING	APPROX. WT. (lbs.)
WD-726S	2000	20	24	2PS-1/4	2 @ 1200	28 1/4	32 11/16	4 1/4	14 19/32	11	132	1 5/16	27	250	600
WD-727S	2000	20	45	2PS-1/4	2 @ 1200	28 1/4	45 11/16	7 1/2	21 3/32	17 1/2	120	1 5/16	40	250	675
WD-728S	2000	20	66	2PS-1/4	2 @ 1200	28 1/4	58 11/16	11	27 19/32	24	108	1 5/16	53	250	750
WD-720S	2000	30	24	2PS-1/4	3 @ 1800	28 1/4	32 11/16	4 1/4	14 19/32	11	132	1 5/16	27	250	600
WD-721S	2000	30	45	2PS-1/4	3 @ 1800	28 1/4	45 11/16	7 1/2	21 3/32	17 1/2	120	1 5/16	40	250	675
WD-722S	2000	30	66	2PS-1/4	3 @ 1800	28 1/4	58 11/16	11	27 19/32	24	108	1 5/16	53	250	750
WD-723S	2000	40	24	2PS-1/4	4 @ 1800	28 1/4	32 11/16	4 1/4	14 19/32	11	132	1 5/16	27	250	600
WD-724S	2000	40	45	2PS-1/4	4 @ 1800	28 1/4	45 11/16	7 1/2	21 3/32	17 1/2	120	1 5/16	40	250	675
WD-725S	2000	40	66	2PS-1/4	4 @ 1800	28 1/4	58 11/16	11	27 19/32	24	108	1 5/16	53	250	750
WD-730S	3000	20	24	2PS-1/4	3 @ 1200	28 1/4	32 11/16	4 1/4	14 19/32	11	96	1 5/16	27	250	600
WD-731S	3000	20	45	2PS-1/4	3 @ 1200	28 1/4	45 11/16	7 1/2	21 3/32	17 1/2	80	1 5/16	40	250	675
WD-732S	3000	20	66	2PS-1/4	3 @ 1200	28 1/4	58 11/16	11	27 19/32	24	72	1 5/16	53	250	750
WD-733S	3000	30	24	2PS-1/4	5 @ 1800	28 1/4	32 11/16	4 1/4	14 19/32	11	96	1 5/16	27	250	600
WD-734S	3000	30	45	2PS-1/4	5 @ 1800	28 1/4	45 11/16	7 1/2	21 3/32	17 1/2	80	1 5/16	40	250	675
WD-735S	3000	30	66	2PS-1/4	5 @ 1800	28 1/4	58 11/16	11	27 19/32	24	72	1 5/16	53	250	750
WD-736S	3000	40	24	2PS-1/4	6 @ 1800	31 1/4	32 11/16	4 1/4	14 19/32	11	96	9/16	27	250	625
WD-737S	3000	40	45	2PS-1/4	6 @ 1800	31 1/4	45 11/16	7 1/2	21 3/32	17 1/2	80	9/16	40	250	700
WD-738S	3000	40	66	2PS-1/4	6 @ 1800	31 1/4	58 11/16	11	27 19/32	24	72	9/16	53	250	775

* DIMENSIONS VARY ACCORDING TO MOTOR MANUFACTURER.

** FOR STANDARD APPLICATIONS "S" DIMENSIONS APPLY ONLY WHEN HOOK SPACING IS GREATER THAN THAT SHOWN IN COLUMN "X".

*** "C" & "O" DIMENSIONS AND WEIGHTS BASED ON MIN. HOOK SPACING.

**** CAPACITY BASED ON 2PS REEVING.

LOAD BLOCKS AND UPPER SHEAVES (NOT SHOWN) ARE PROVIDED IN CONNECTION WITH REEVING.

NOTE : FOR OTHER HOOK SPACINGS CONSULT FACTORY.