

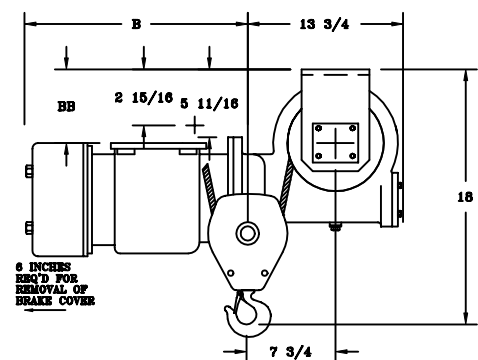
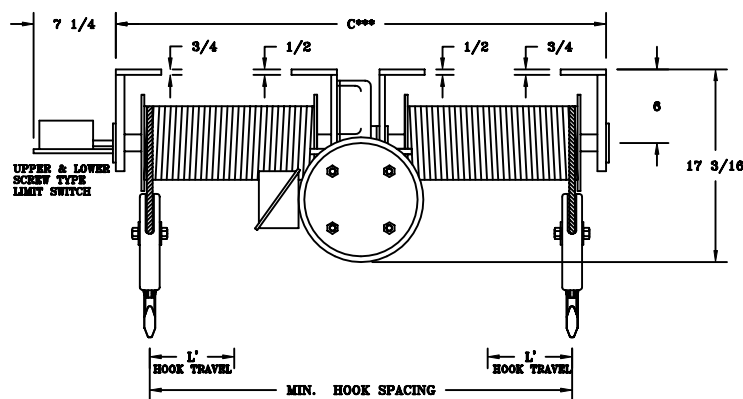
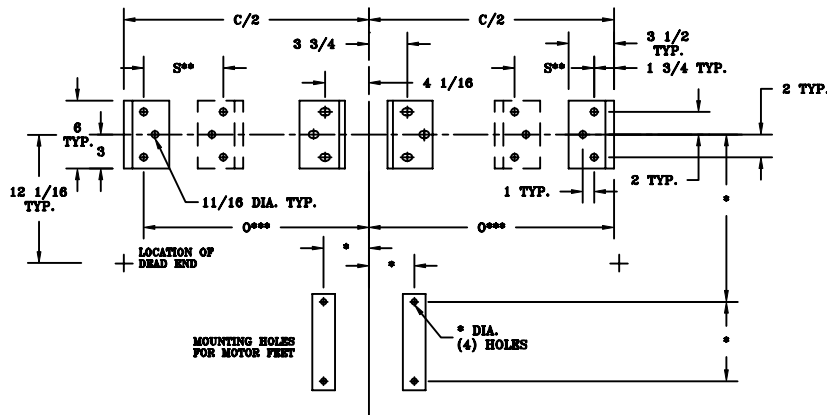
# CHESTER HOIST

WORM DRIVE HOIST  
DATA SHEET E-46AS

## CAPACITY 1-1 1/2 TON

STANDARD HEADROOM  
CEILING MOUNTED - R

TWIN HOOK MONORAIL  
2-PART SINGLE



ALL DIMENSIONS IN INCHES

MODEL NUMBER	CAPACITY (lbs.)****	SPEED (fpm)	LIFT (ft.)	REEVING	MOTOR (hp)	B	*** C	** I	L'	*** O	** S	BB	MIN. HOOK SPACING	MAX. HOOK SPACING	APPROX. WT. (lbs.)
WD-526S	2000	20	24	2PS-1/4	2 @ 1200	20 1/2	30	132	4 1/4	13 1/4	11	6 11/16	27	250	600
WD-527S	2000	20	45	2PS-1/4	2 @ 1200	20 1/2	43	120	7 1/2	19 3/4	17 1/2	6 11/16	40	250	675
WD-528S	2000	20	66	2PS-1/4	2 @ 1200	20 1/2	56	108	11	26 1/4	24	6 11/16	53	250	750
WD-520S	2000	30	24	2PS-1/4	3 @ 1800	20 1/2	30	132	4 1/4	13 1/4	11	6 11/16	27	250	600
WD-521S	2000	30	45	2PS-1/4	3 @ 1800	20 1/2	43	120	7 1/2	19 3/4	17 1/2	6 11/16	40	250	675
WD-522S	2000	30	66	2PS-1/4	3 @ 1800	20 1/2	56	108	11	26 1/4	24	6 11/16	53	250	750
WD-523S	2000	40	24	2PS-1/4	4 @ 1800	20 1/2	30	132	4 1/4	13 1/4	11	6 11/16	27	250	600
WD-524S	2000	40	45	2PS-1/4	4 @ 1800	20 1/2	43	120	7 1/2	19 3/4	17 1/2	6 11/16	40	250	675
WD-525S	2000	40	66	2PS-1/4	4 @ 1800	20 1/2	56	108	11	26 1/4	24	6 11/16	53	250	750
WD-530S	3000	20	24	2PS-1/4	3 @ 1200	20 1/2	30	96	4 1/4	13 1/4	11	6 11/16	27	250	600
WD-531S	3000	20	45	2PS-1/4	3 @ 1200	20 1/2	43	80	7 1/2	19 3/4	17 1/2	6 11/16	40	250	675
WD-532S	3000	20	66	2PS-1/4	3 @ 1200	20 1/2	56	72	11	26 1/4	24	6 11/16	53	250	750
WD-533S	3000	30	24	2PS-1/4	5 @ 1800	20 1/2	30	96	4 1/4	13 1/4	11	6 11/16	27	250	600
WD-534S	3000	30	45	2PS-1/4	5 @ 1800	20 1/2	43	80	7 1/2	19 3/4	17 1/2	6 11/16	40	250	675
WD-535S	3000	30	66	2PS-1/4	5 @ 1800	20 1/2	56	72	11	26 1/4	24	6 11/16	53	250	750
WD-536S	3000	40	24	2PS-1/4	6 @ 1800	23 1/2	30	96	4 1/4	13 1/4	11	5 15/16	27	250	600
WD-537S	3000	40	45	2PS-1/4	6 @ 1800	23 1/2	43	80	7 1/2	19 3/4	17 1/2	5 15/16	40	250	675
WD-538S	3000	40	66	2PS-1/4	6 @ 1800	23 1/2	56	72	11	26 1/4	24	5 15/16	53	250	750

\* DIMENSIONS VARY ACCORDING TO MOTOR MANUFACTURER.

\*\* FOR STANDARD APPLICATIONS "S" DIMENSIONS APPLY ONLY WHEN HOOK SPACING IS GREATER THAN THAT SHOWN IN COLUMN "1".

\*\*\* "C" & "O" DIMENSIONS AND WEIGHTS BASED ON MIN. HOOK SPACING.

\*\*\*\* CAPACITY BASED ON 2PS REEVING.

NOTE : FOR OTHER HOOK SPACINGS CONSULT FACTORY.