

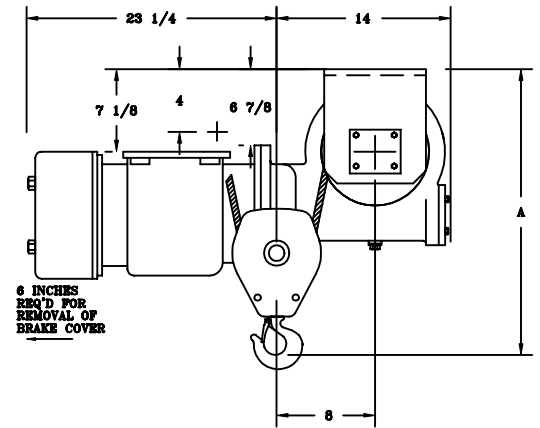
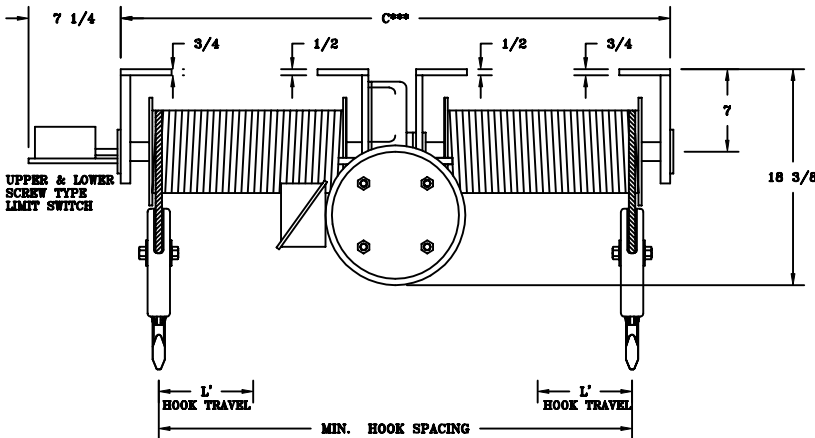
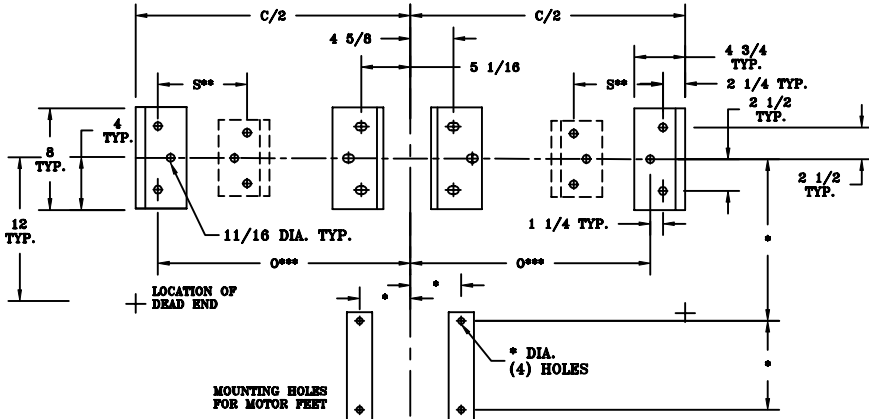
CHESTER HOIST

WORM DRIVE HOIST
DATA SHEET E-43AS

CAPACITY 2-3 TON

STANDARD HEADROOM
CEILING MOUNTED - S

TWIN HOOK MONORAIL
2-PART SINGLE



ALL DIMENSIONS IN INCHES

MODEL NUMBER	CAPACITY (lbs.)****	SPEED (fpm)	LIFT (ft.)	REEVING	MOTOR (hp)	A	*** C	** I	L'	*** D	** S	MIN. HOOK SPACING	MAX. HOOK SPACING	APPROX. WT. (lbs.)
WD-540S	4000	20	20	2PS-1/4	4 @ 1200	21	31	112	4 1/4	13 1/4	10	28	250	625
WD-541S	4000	20	40	2PS-1/4	4 @ 1200	21	44	108	7 1/2	19 3/4	16 1/2	41	250	700
WD-542S	4000	20	60	2PS-1/4	4 @ 1200	21	57	96	11	26 1/4	23	54	250	775
WD-543S	4000	30	20	2PS-1/4	6 @ 1800	21	31	112	4 1/4	13 1/4	10	28	250	625
WD-544S	4000	30	40	2PS-1/4	6 @ 1800	21	44	108	7 1/2	19 3/4	16 1/2	41	250	700
WD-545S	4000	30	60	2PS-1/4	6 @ 1800	21	57	96	11	26 1/4	23	54	250	775
WD-560S	6000	20	20	2PS-5/16	6 @ 1200	26	31	112	4 1/4	13 1/4	10	28	250	625
WD-561S	6000	20	40	2PS-5/16	6 @ 1200	26	44	108	7 1/2	19 3/4	16 1/2	41	250	700
WD-562S	6000	20	60	2PS-5/16	6 @ 1200	26	57	84	11	26 1/4	23	54	250	775

* DIMENSIONS VARY ACCORDING TO MOTOR MANUFACTURER.

** FOR STANDARD APPLICATIONS "S" DIMENSIONS APPLY ONLY WHEN HOOK SPACING IS GREATER THAN THAT SHOWN IN COLUMN "I"

*** "C" & "O" DIMENSIONS AND WEIGHTS BASED ON MIN. HOOK SPACING

**** CAPACITY BASED ON 2PS REEVING

NOTE : FOR OTHER HOOK SPACINGS CONSULT FACTORY