

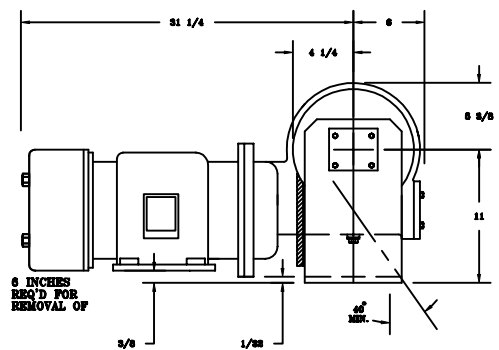
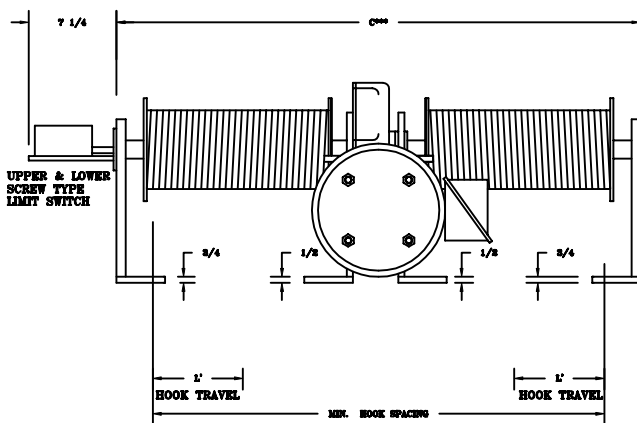
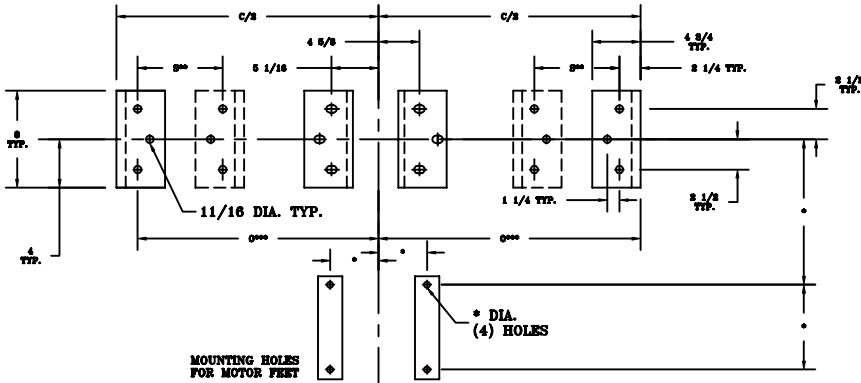
CHESTER HOIST

WORM DRIVE HOIST
DATA SHEET E-42AS

CAPACITY 2-3-4-5-6 TON

TWIN HOOK - S

FLOOR MOUNTED



ALL DIMENSIONS IN INCHES

MODEL NUMBER	CAPACITY (lbs.)****	SPEED (fpm)	LIFT (ft.)	REEVING	MOTOR (hp)	*** C	L'	** S	*** O	** X	MIN. HOOK SPACING	MAX. HOOK SPACING	APPROX. WT. (lbs.)
WD-740S	4000	20	20	2PS-1/4	4 @ 1200	34 1/4	4 1/4	10	14 7/8	112	28	250	625
WD-741S	4000	20	40	2PS-1/4	4 @ 1200	47 1/4	7 1/2	16 1/2	21 3/8	108	41	250	700
WD-742S	4000	20	60	2PS-1/4	4 @ 1200	60 1/4	11	23	27 7/8	96	54	250	775
WD-743S	4000	30	20	2PS-1/4	6 @ 1800	34 1/4	4 1/4	10	14 7/8	112	28	250	625
WD-744S	4000	30	40	2PS-1/4	6 @ 1800	47 1/4	7 1/2	16 1/2	21 3/8	108	41	250	700
WD-745S	4000	30	60	2PS-1/4	6 @ 1800	60 1/4	11	23	27 7/8	96	54	250	775
WD-760S	6000	20	20	2PS-5/16	6 @ 1200	34 1/4	4 1/4	10	14 7/8	108	28	250	625
WD-761S	6000	20	40	2PS-5/16	6 @ 1200	47 1/4	7 1/2	16 1/2	21 3/8	96	41	250	700
WD-762S	6000	20	60	2PS-5/16	6 @ 1200	60 1/4	11	23	27 7/8	84	54	250	775
WD-780S	8000	15	15	4PS-1/4	6 @ 1800	40 1/4	3	13 1/2	17 7/8	112	34	250	775
WD-781S	8000	15	30	4PS-1/4	6 @ 1800	58 1/4	5 1/4	22	26 7/8	112	52	250	875
WD-782S	8000	15	45	4PS-1/4	6 @ 1800	75 1/4	7 1/4	31	35 3/8	112	69	250	975
WD-7100S	10000	10	15	4PS-5/16	5 @ 1200	40 1/4	3	13 1/2	17 7/8	112	34	250	775
WD-7101S	10000	10	30	4PS-5/16	5 @ 1200	58 1/4	5 1/4	22	26 7/8	112	52	250	875
WD-7102S	10000	10	45	4PS-5/16	5 @ 1200	75 1/4	7 1/4	31	35 3/8	112	69	250	975
WD-7103S	10000	15	15	4PS-5/16	7 1/2 @ 1800	40 1/4	3	13 1/2	17 7/8	112	34	250	775
WD-7104S	10000	15	30	4PS-5/16	7 1/2 @ 1800	58 1/4	5 1/4	22	26 7/8	112	52	250	875
WD-7105S	10000	15	45	4PS-5/16	7 1/2 @ 1800	75 1/4	7 1/4	31	35 3/8	112	69	250	975
WD-7120S	12000	10	15	4PS-5/16	6 @ 1200	40 1/4	3	13 1/2	17 7/8	112	34	250	775
WD-7121S	12000	10	30	4PS-5/16	6 @ 1200	58 1/4	5 1/4	22	26 7/8	112	52	250	875
WD-7122S	12000	10	45	4PS-5/16	6 @ 1200	75 1/4	7 1/4	31	35 3/8	112	69	250	975

* DIMENSIONS VARY ACCORDING TO MOTOR MANUFACTURER.

** FOR STANDARD APPLICATIONS "S" DIMENSIONS APPLY ONLY WHEN HOOK SPACING IS GREATER THAN THAT SHOWN IN COLUMN "X"

*** "C" & "O" DIMENSIONS AND WEIGHTS BASED ON MIN. HOOK SPACING

**** CAPACITY BASED ON REEVING SHOWN.

NOTE : FOR OTHER HOOK SPACINGS CONSULT FACTORY

LOAD BLOCKS AND UPPER SHEAVES (NOT SHOWN) ARE PROVIDED IN CONJUNCTION WITH REEVING.