

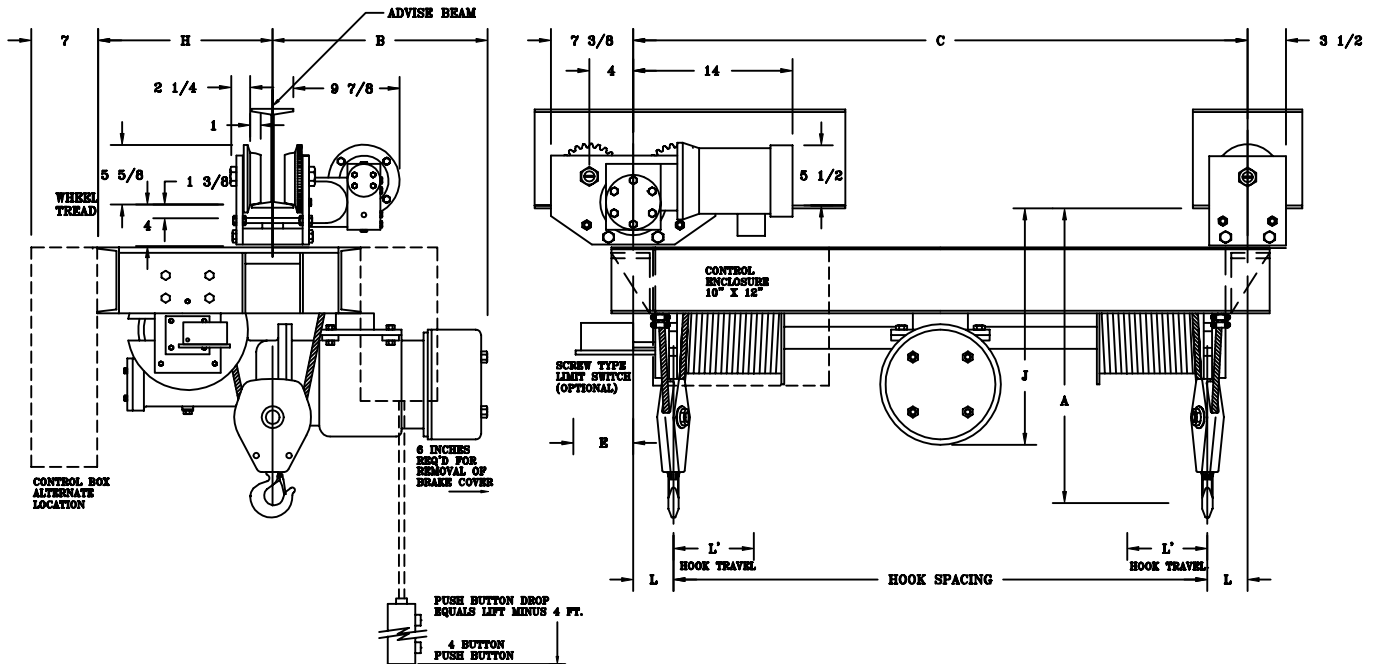
# CHESTER HOIST

WORM DRIVE HOIST  
DATA SHEET E-39AS

CAPACITY 1-1 1/2-2-3 TON

STANDARD HEADROOM  
MOTORIZED TROLLEY-R & S

TWIN HOOK MONORAIL  
2-PART SINGLE



ALL DIMENSIONS IN INCHES

MODEL NUMBER	CAPACITY (lbs.)	SPEED (fpm)	LIFT (ft.)	REEVING	MOTOR (hp)	A	B	C	E	H	J	L	L'	MAX. HOOK SPACING	MIN. HOOK SPACING	ST'D. I-BEAM SIZE CLEAR*	APPROX. WT. (lbs.)	
WDMT-326S	2000	20	24	2PS-1/4	2 @ 1200	22	20 1/2	36 1/2	5 1/2	16	20 3/4	3 3/4	4 1/4	108	29	7-24 7/16	1100	R
WDMT-327S	2000	20	45	2PS-1/4	2 @ 1200	22	20 1/2	49 1/2	5 1/2	16	20 3/4	3 3/4	7 1/2	108	42	7-24 7/16	1200	
WDMT-328S	2000	20	66	2PS-1/4	2 @ 1200	22	20 1/2	62 1/2	5 1/2	16	20 3/4	3 3/4	11	108	55	7-24 7/16	1300	
WDMT-320S	2000	30	24	2PS-1/4	3 @ 1800	22	20 1/2	36 1/2	5 1/2	16	20 3/4	3 3/4	4 1/4	108	29	7-24 7/16	1100	
WDMT-321S	2000	30	45	2PS-1/4	3 @ 1800	22	20 1/2	49 1/2	5 1/2	16	20 3/4	3 3/4	7 1/2	108	42	7-24 7/16	1200	
WDMT-322S	2000	30	66	2PS-1/4	3 @ 1800	22	20 1/2	62 1/2	5 1/2	16	20 3/4	3 3/4	11	108	55	7-24 7/16	1300	
WDMT-323S	2000	40	24	2PS-1/4	4 @ 1800	22	20 1/2	36 1/2	5 1/2	16	20 3/4	3 3/4	4 1/4	108	29	7-24 7/16	1100	
WDMT-324S	2000	40	45	2PS-1/4	4 @ 1800	22	20 1/2	49 1/2	5 1/2	16	20 3/4	3 3/4	7 1/2	108	42	7-24 7/16	1200	
WDMT-325S	2000	40	66	2PS-1/4	4 @ 1800	22	20 1/2	62 1/2	5 1/2	16	20 3/4	3 3/4	11	108	55	7-24 7/16	1300	
WDMT-330S	3000	20	24	2PS-1/4	3 @ 1200	22	20 1/2	36 1/2	5 1/2	16	20 3/4	3 3/4	4 1/4	108	29	7-24 7/16	1100	
WDMT-331S	3000	20	45	2PS-1/4	3 @ 1200	22	20 1/2	49 1/2	5 1/2	16	20 3/4	3 3/4	7 1/2	108	42	7-24 7/16	1200	
WDMT-332S	3000	20	66	2PS-1/4	3 @ 1200	22	20 1/2	62 1/2	5 1/2	16	20 3/4	3 3/4	11	108	55	7-24 7/16	1300	
WDMT-333S	3000	30	24	2PS-1/4	5 @ 1800	22	20 1/2	36 1/2	5 1/2	16	20 3/4	3 3/4	4 1/4	108	29	7-24 7/16	1100	
WDMT-334S	3000	30	45	2PS-1/4	5 @ 1800	22	20 1/2	49 1/2	5 1/2	16	20 3/4	3 3/4	7 1/2	108	42	7-24 7/16	1200	
WDMT-335S	3000	30	66	2PS-1/4	5 @ 1800	22	20 1/2	62 1/2	5 1/2	16	20 3/4	3 3/4	11	108	55	7-24 7/16	1300	
WDMT-336S	3000	40	24	2PS-1/4	6 @ 1800	22	23 1/2	36 1/2	5 1/2	16	20 3/4	3 3/4	4 1/4	108	29	7-24 7/16	1125	
WDMT-337S	3000	40	45	2PS-1/4	6 @ 1800	22	23 1/2	49 1/2	5 1/2	16	20 3/4	3 3/4	7 1/2	108	42	7-24 7/16	1225	
WDMT-338S	3000	40	66	2PS-1/4	6 @ 1800	22	23 1/2	62 1/2	5 1/2	16	20 3/4	3 3/4	11	108	55	7-24 7/16	1325	
WDMT-340S	4000	20	20	2PS-1/4	4 @ 1200	26	23 1/4	39	5 1/4	16 1/2	23 3/8	4	4 1/4	96	31	7-24 7/16	1150	S
WDMT-341S	4000	20	40	2PS-1/4	4 @ 1200	26	23 1/4	52	5 1/4	16 1/2	23 3/8	4	7 1/2	96	44	7-24 7/16	1250	
WDMT-342S	4000	20	60	2PS-1/4	4 @ 1200	26	23 1/4	65	5 1/4	16 1/2	23 3/8	4	11	96	57	7-24 7/16	1350	
WDMT-343S	4000	30	20	2PS-1/4	6 @ 1800	26	23 1/4	39	5 1/4	16 1/2	23 3/8	4	4 1/4	96	31	7-24 7/16	1150	
WDMT-344S	4000	30	40	2PS-1/4	6 @ 1800	26	23 1/4	52	5 1/4	16 1/2	23 3/8	4	7 1/2	96	44	7-24 7/16	1250	
WDMT-345S	4000	30	60	2PS-1/4	6 @ 1800	26	23 1/4	65	5 1/4	16 1/2	23 3/8	4	11	96	57	7-24 7/16	1350	
WDMT-360S	6000	20	20	2PS-5/16	6 @ 1200	31	23 1/4	39	5 1/4	16 1/2	23 3/8	4	4 1/4	96	31	7-24 7/16	1150	
WDMT-361S	6000	20	40	2PS-5/16	6 @ 1200	31	23 1/4	52	5 1/4	16 1/2	23 3/8	4	7 1/2	96	44	7-24 7/16	1250	
WDMT-362S	6000	20	60	2PS-5/16	6 @ 1200	31	23 1/4	65	5 1/4	16 1/2	23 3/8	4	11	96	57	7-24 7/16	1350	

\* CLEARANCE BASED ON MAX. "S" BEAM SIZE 24" @ 121 LBS.  
TROLLEYS FOR OTHER I-BEAMS AND PATENTED TRACKS ARE AVAILABLE.  
"C" DIMENSION AND WEIGHTS BASED ON MIN. HOOK SPACING  
NOTE: WHEN USING SCREW TYPE LIMIT SWITCH ADD 1 INCH TO HEADROOM.