

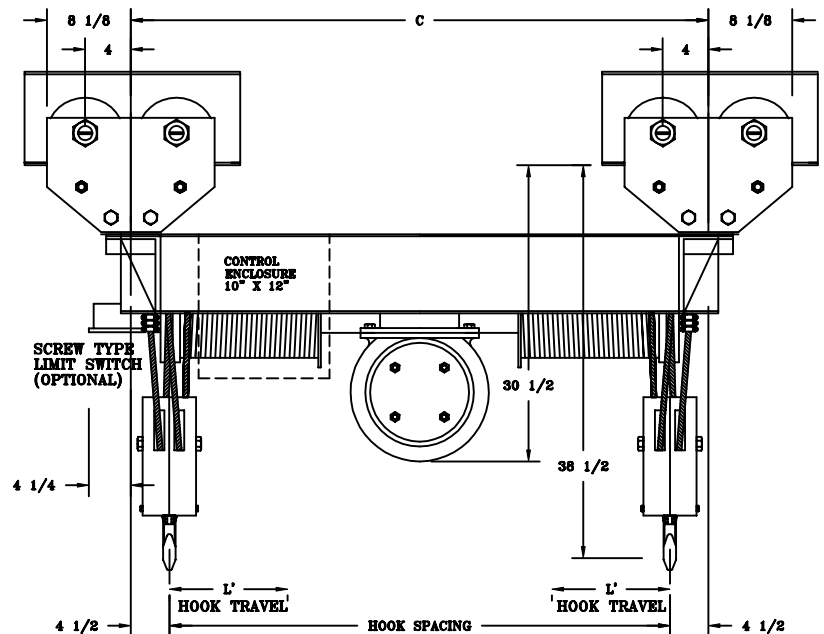
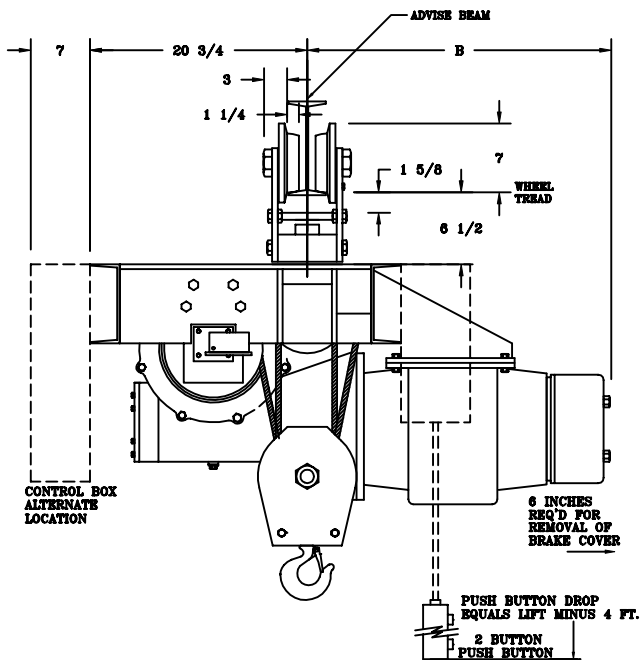
CHESTER HOIST

WORM DRIVE HOIST
DATA SHEET E-211AS

CAPACITY 10-15 TON

STANDARD HEADROOM
PLAIN TROLLEY TYPE-T

TWIN HOOK MONORAIL
4-PART SINGLE



ALL DIMENSIONS IN INCHES

MODEL NUMBER	CAPACITY (lbs.)	SPEED (fpm)	LIFT (ft.)	REEVING	MOTOR (hp)	B	C	L'	MAX. HOOK SPACING	MIN. HOOK SPACING	ST'D. I-BEAM		APPROX. WT. (lbs.)
											SIZE	CLEAR*	
WDT-3200S	20000	10	10	4PS-7/16	10 @ 1200	32	51	3	144	42	8-24	5/8	1850
WDT-3201S	20000	10	20	4PS-7/16	10 @ 1200	32	68	5 1/4	144	59	8-24	5/8	2050
WDT-3202S	20000	10	30	4PS-7/16	10 @ 1200	32	86	7 1/4	144	77	8-24	5/8	2250
WDT-3203S	20000	15	10	4PS-7/16	15 @ 1800	32	51	3	144	42	8-24	5/8	1850
WDT-3204S	20000	15	20	4PS-7/16	15 @ 1800	32	68	5 1/4	144	59	8-24	5/8	2050
WDT-3205S	20000	15	30	4PS-7/16	15 @ 1800	32	86	7 1/4	144	77	8-24	5/8	2250
WDT-3300S	30000	10	10	4PS-7/16E	15 @ 1200	34	51	3	144	42	8-24	5/8	1850
WDT-3301S	30000	10	20	4PS-7/16E	15 @ 1200	34	68	5 1/4	144	59	8-24	5/8	2050
WDT-3302S	30000	10	30	4PS-7/16E	15 @ 1200	34	86	7 1/4	144	77	8-24	5/8	2250

* CLEARANCE BASED ON MAX. "S" BEAM SIZE 24" @ 121 LBS.
TROLLEYS FOR OTHER I-BEAMS AND PATENTED TRACKS ARE AVAILABLE.
"C" DIMENSION AND WEIGHTS BASED ON MIN. HOOK SPACING
NOTE: WHEN USING SCREW TYPE LIMIT SWITCH ADD 1 INCH TO HEADROOM.