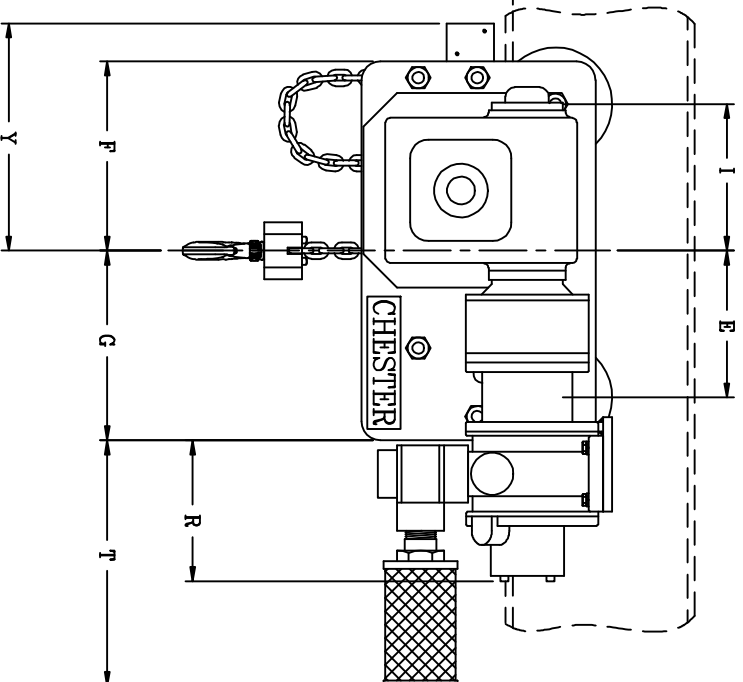
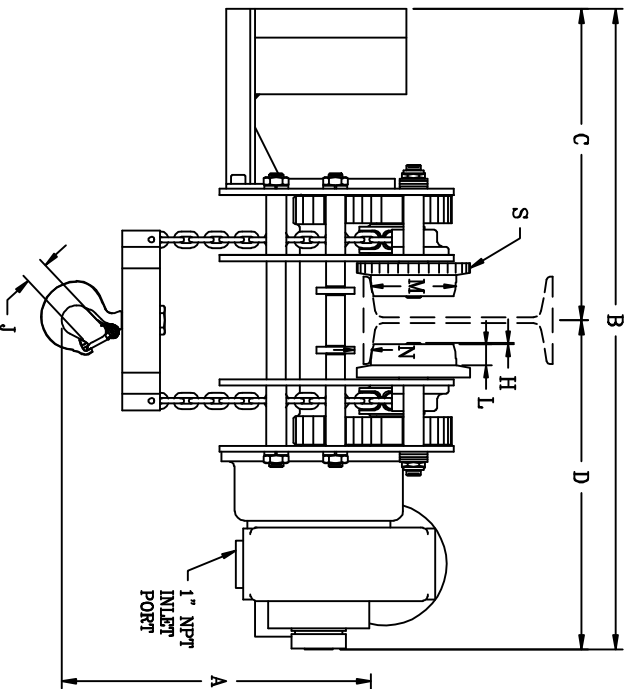


SPARK RESISTANT  
 -BRONZE HOOK  
 -STAINLESS STEEL CHAIN

PC#1 NO. REQ. 1



|      |           |
|------|-----------|
| * A  | 7 3/4"    |
| B    | 33 13/16" |
| C    | 16 7/16"  |
| D    | 17 3/8"   |
| E    | 7 3/4"    |
| F    | 10"       |
| G    | 10"       |
| ~H   | 1 1/16"   |
| I    | 7 3/4"    |
| J    | 1 13/32"  |
| L    | 1 1/8"    |
| M    | 4 1/2"    |
| #* N | 7/8"      |
| R    | 7 7/16"   |
| S    | 6"        |
| T    | 13"       |
| Y    | 12"       |

\* TO WHEEL RUNNING SURFACE OF BEAM  
 # TO UNDER BEAM ROLLER - (CLOSEST POINT OF CONTACT)  
 ~ FROM THE FACE OF THE WHEEL TO THE END OF THE AXLE  
 CUSTOMER MUST TAKE INTO CONSIDERATION FLANGE WIDTH AND THICKNESS OF BEAM  
 DIMENSIONS SHOWN ARE CORRECT FOR ANY "S" OR "W" BEAM; PLAIN, HAND GEARED OR MOTORIZED TROLLEY  
 NOTE: THIS UNIT OPERATES ONLY ON THE BEAM SPECIFIED

|                              |  |               |      |      |         |
|------------------------------|--|---------------|------|------|---------|
| 1 TON AIR LOW HEADROOM HOIST |  | DR. MAM       | TR.  | CK.  | AP.     |
| CHESTER HOIST                |  | SCALE         | NONE | DATE | 8/29/08 |
| LISBON, OHIO                 |  | REF. DWG. NO. |      |      |         |
| REVISIONS                    |  | CK-DATE       |      |      |         |
| MK.                          |  |               |      |      |         |

Dwg. No. C-49029